

HC SERIES



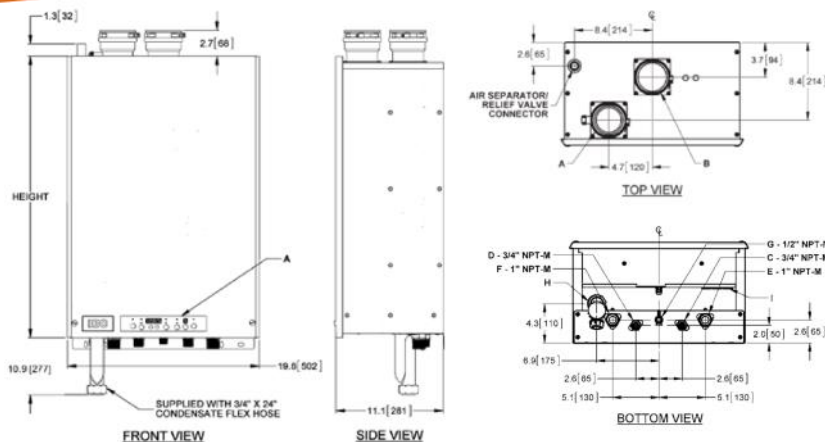
High Efficiency Condensing Boiler

Excellent value for the money, the HC Series offers an economical solution to all your home heating needs without sacrificing reliability. DHW demand priority standard. Pair with one of our IBC Indirect Water Heaters for a complete home heating system.

- Unique and innovative single pass Copper / Aluminum heat exchanger, ensuring greater efficiency and eliminating water side corrosion.
- Up to 95% AFUE, with full ASME-rated vessel.
- Built-in boiler pump.
- PVC/CPVC/PPs approved.
- 2" & 3" venting options available.
- Contractor friendly, easy to install, maintain and service.
- Fewer parts ensuring greater reliability.
- Outdoor reset technology increases efficiency by lowering the water temp automatically.
- Reset heating - Set point - DHW.
- Includes Air Vent, Outdoor Sensor & Relief Valve.
- Better reliability and durability.

THE **SMART CHOICE**
FOR HEATING

IBC INTERGAS



HEIGHT	HC SERIES
HC 13-50	26.6" / 676mm
HC 15-95	29.0" / 736mm
HC 20-125	31.3" / 796mm
HC 33-160	31.3" / 796mm

DESCRIPTION	HC SERIES
A Exhaust outlet	3" Schedule 40
B Combustion air	3" Schedule 40
E Heating water inlet (return)	1" Male NPT
F Heating water outlet (supply)	1" Male NPT
G Gas inlet	1/2" Male NPT
H Condensate outlet	3/4" Hose
I Knock-outs (3)	1/2"

Connections

SURFACE	DISTANCE FROM COMBUSTIBLE SURFACES	RECOMMENDED DISTANCE FOR INSTALLATION AND SERVICE
Front	2"	24"
Rear	0"	0"
Left side	1.5"	6" (labels may be difficult to read with reduced clearance)
Right side	4"	6" (labels may be difficult to read with reduced clearance)
Top	2"	24"
Bottom	8"	24"

Clearance from boiler cabinet

EXHAUST PIPE SIZE	MAXIMUM EQUIVALENT LENGTH
Sched.40; Rigid PPs	(each side)
2"	35'
3"	120'
2"/3" 90° Long sweep vent elbow	Allow 5' equivalent feet
2"/3" 90° Short sweep vent elbow	Allow 8' equivalent feet
2"/3" 45° Vent elbow	Allow 3' equivalent feet
PPS	
PPs 87-90° Elbow	Allow 8' equivalent feet
Flexible PPs	
3" Flexible	35 Actual feet times 1.4

Maximum exhaust venting length

SPECIFICATIONS	HC 13-50	HC 15-95	HC 20-125	HC 33-160
CSA Input (Natural Gas or Propane *) – MBH	13.5 – 51	15 – 95	20 – 125	33 – 160
CSA Input (Natural Gas or Propane *) – KW	3.95 – 14.94	4.4 – 27.8	5.6 – 36.6	9.7 – 46.9
CSA Output – MBH	12.4 – 45.4	14.5 – 85.5	18.6 – 110.8	30.4 – 140.0
CSA Output – KW	3.64 – 13.3	4.2 – 25.0	5.4 – 32.5	8.9 – 41.0
A.F.U.E	95%	95%	95%	94%
Min gas pressure (Nat. Gas or Propane) – inch w.c.	5	5	5	5
Max gas pressure (Nat. Gas or Propane) – inch w.c.	14	14	14	14
Power (120Vac/60Hz) - Watts @ full fire with internal pump	126	128	130	164
Weight (empty) – lbs/Kg	85 / 39	91 / 41	85 / 39	85 / 39
Pressure vessel water content – USG/Liters	0.37/1.4	0.37/1.4	0.5/1.9	0.5/1.9
Max boiler flow rate - USgpm	9	10	11	11
Min boiler flow rate - USgpm	2	2	3	3
Max operating pressure – Space Heating Coil - psig	43.5	43.5	43.5	43.5
Approved installation altitude - ASL	0 - 10,000 ft	0 - 10,000 ft	0 - 10,000 ft	0 - 10,000 ft
Ambient temperature – Low (°F/°C)	32/0	32/0	32/0	32/0
Ambient temperature – High (°F/°C)	122/50	122/50	122/50	122/50
Max relative humidity (non-condensing)	90%	90%	90%	90%
Min water temperature - Space Heating (°F/°C)	50/10	50/10	50/10	50/10
Max water temperature – Space Heating (°F/°C)	194/90	194/90	194/90	194/90
Max equivalent vent length 2" (each side)	35'	35'	35'	35'
Max equivalent vent length 3" (each side)	120'	120'	120'	120'

Natural Gas boilers require a Propane conversion kit to be ordered separately if converting from Natural Gas to Propane. Propane boilers require a Natural Gas conversion kit to be ordered separately if converting from Propane to Natural Gas.

Boilers are shipped with 30 psi pressure relief valve.

Accessories



EZ Pipe Manifold
Part# 190-149



Floor Stand
Part# P-267



Service Parts Kit
Part# P-743C



Sidewall Vent Terminal Kit



IBC Technologies

sales@ibcboiler.com • www.ibcboiler.com

Toll Free: 1-844-HEAT IBC / 1-844-432-8422



All information contained in this brochure is subject to change without notice. Due to clerical error, regulation change or product development please confirm all information with IBC INTERGAS